

Electronic Signature

Electronic Signature interfaces with ScriptPro's SP Central Workflow System to electronically capture a patient's signature regarding the counseling decision and third party insurance message acceptance.

Although a physically small device, Electronic Signature has a big impact on pharmacy. Now your pharmacy can record, then easily recall who signed for a prescription and when it was picked up.

Electronic Signature allows patients to request counseling on any prescriptions. The choice on counseling and accompanying signature is recorded electronically, replacing the cumbersome paper logs. Patients appreciate the courtesy and personal service while pharmacy staff save valuable time by managing signatures electronically.

HIPAA form acknowledgment and pharmacy-customized forms are also supported.

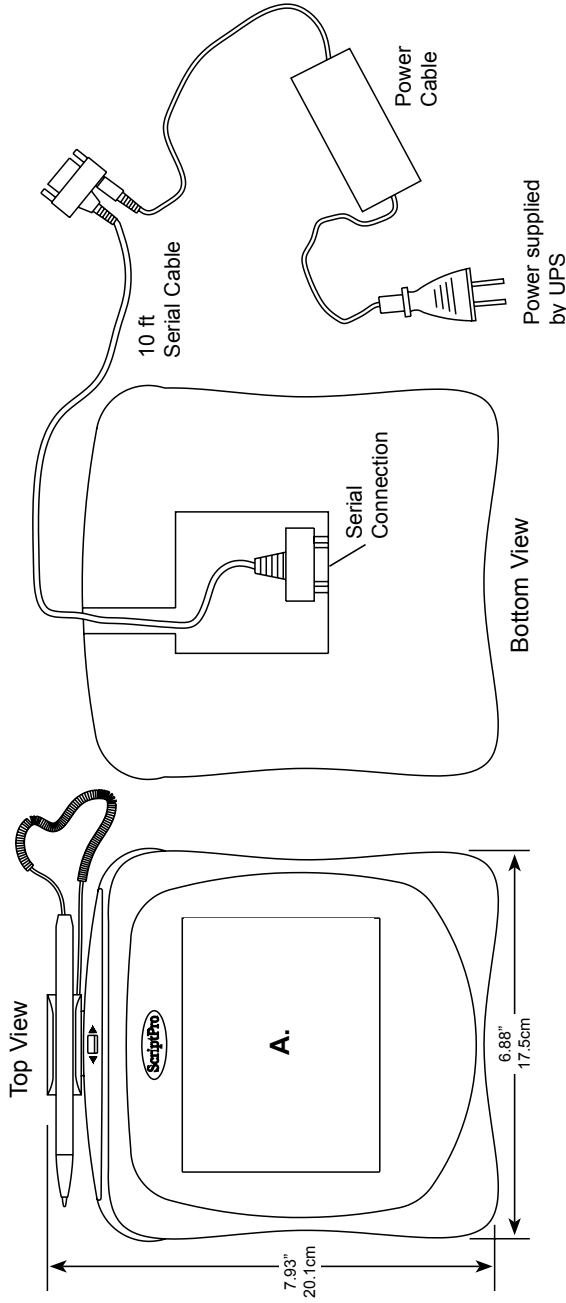


ScriptPro®

Pharmacy Automation

For more information call:
800.606.7628
913.384.1008
www.scriptpro.com

Electronic Signature



Specifications*

Weight: A. Electronic Signature: 2 lbs (0.9 kg)
 B. Counter Mount: 1.19 lbs (0.54 kg)

Electrical Input: *North American specs. International specs available upon request.*
 100-240 VAC, 47/63 Hz, 0.4 A, Single Phase

Computer/Software: Electronic Signature requires one SP Station®, SP Checkpoint™, or SPUD® per unit.

Operating Temp: 41°F to 86°F (5°C to 30°C)

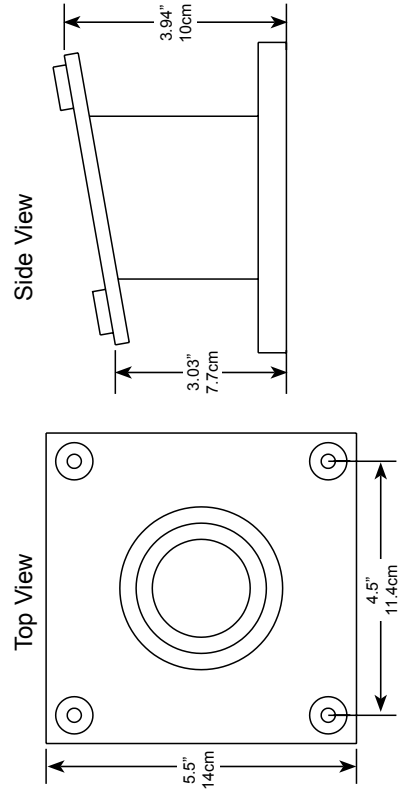
Storage Temp: 5°F to 104°F (-15°C to 40°C)

Installation: Optional Counter Mount includes four screws.

Optional 20 ft serial cable available (additional charges may apply)

*Specifications subject to change without notice.

B. Optional Counter Mount (additional charges may apply)



ScriptPro®
Pharmacy Automation

800.606.7628 • 913.384.1008
 www.scriptpro.com